

SJ

SJ700A SERIES

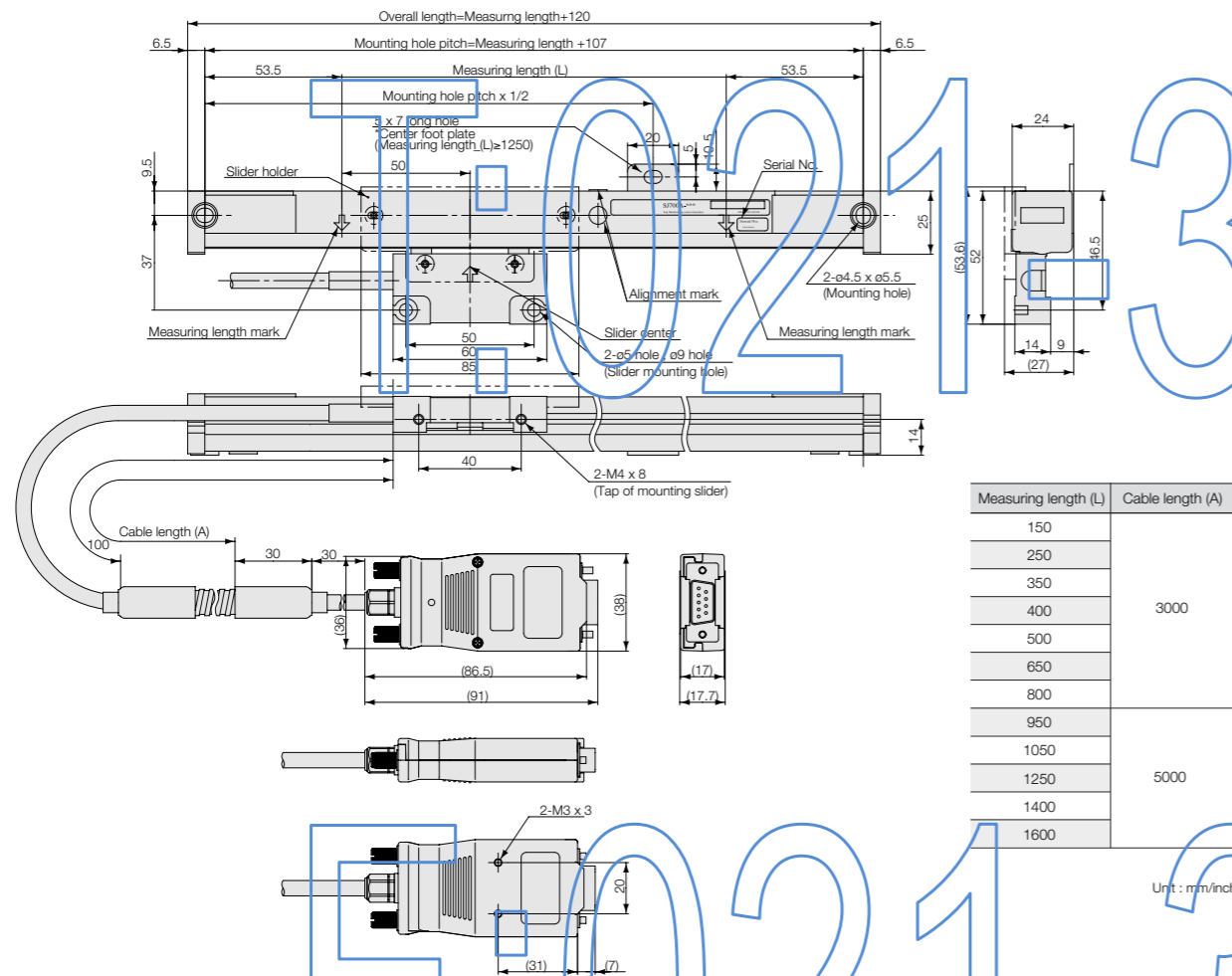
Cost-effective scale for Digital readout.

- Magnetic based encoder
- Excellent resistance to workshop conditions
- Same coefficient of expansion as that of machine tools
- Measuring length: 150 mm to 1600 mm / 5.9" to 62.9"
- Accuracy: $\pm 10 \mu\text{m}$, $\pm 15 \mu\text{m}$
- Resolution: $5 \mu\text{m}$

| Scale | Counter |
|--------|-----------------------------------|
| SJ700A | LH70/71, LH72 LY71, LY72, LG20 |

MILLMAN®

Dimensions



| Measuring length (L) | Cable length (A) |
|----------------------|------------------|
| 150 | 3000 |
| 250 | |
| 350 | |
| 400 | |
| 500 | |
| 650 | 5000 |
| 800 | |
| 950 | |
| 1050 | |
| 1250 | |
| 1400 | 5000 |
| 1600 | |

Unit: mm/inch

Specifications

| Model | SJ700A |
|-------------------------------|--|
| Effective length L:mm(inch) | 150 (5.9"), 250 (9.8"), 350 (13.7"), 400 (15.7"), 500 (19.6"), 650 (25.5"), 800 (31.5"), 950 (37.4"), 1050 (41.3"), 1250 (49.2"), 1400 (55.1"), 1600 (62.9") |
| Overall length | Measuring length + 120 (4.73") |
| Maximum travel | Measuring length + 20 (0.78") (10 (0.39") each at right and left) |
| Accuracy (at 20°C/68°F) | $\pm 10 \mu\text{m}$ (Measuring length 1250 (49.21") or less) $\pm 15 \mu\text{m}$ (Measuring length 1400 (55.12") or more) |
| Thermal expansion coefficient | $(12 \pm 1) \times 10^{-6}/^\circ\text{C}$ |
| Cable length | 3 m (9.8 ft) (SJ700A-015 to 080), 5 m (16.4 ft) (SJ700A-095 to 160) |
| Operating temperature | 0 to +40°C (+32 to +104°F) |
| Storage temperature | -20 to +60°C (4 to +140°F) |
| Operating humidity | Condensation allowed |
| Storage humidity | 90 % |

SJ

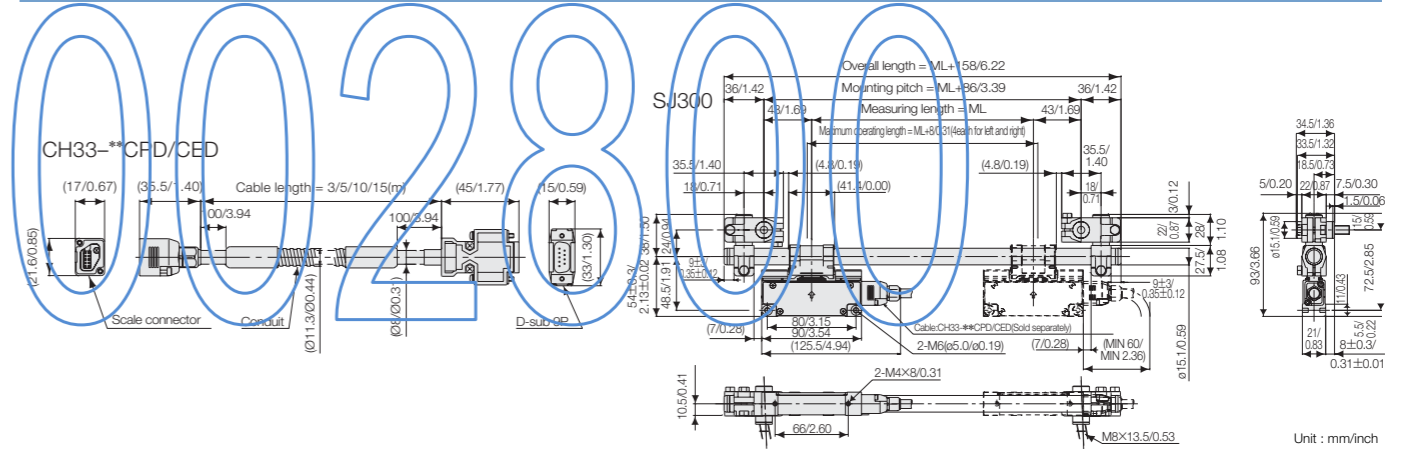
SJ300 SERIES

legendary Magnescale technology has been improved!

- Flexible Reader Head mounting provides wider installation tolerances and less installation time.
- Excellent resistance to workshop conditions (IP64)
- Classic Magnescale benefits: No cleaning or maintenance, and no scratched or broken glass.
- No machined surface or backer bar required.
- Reader Head Status lamp provides visual signal status.
- Scale mounting brackets slide and rotate to accommodate a wide range of installation configurations.
- Removable cable for easy replacement.

| Scale | Cable | Counter |
|-------|-------|-----------------------------------|
| SJ300 | CH33 | LH70/71, LH72 LY71, LY72, LG20 |

Dimensions



Unit: mm/inch

Specifications

| Model | SJ300-005 to SJ300-220 |
|------------------------------|--|
| Effective length L:mm | 50,100,150,200,250,300,350,400,450,500,550,600,650,750,800, 850,950,1050,1250,1400,1600,1850,2050,2200 |
| Overall length | L+158mm |
| Accuracy(20°C) | $\pm 10 \mu\text{m}/\text{m}$ |
| Resolution | 1 μm |
| Max. response speed | 60m/min |
| Output signal | AB quadrature (compliant with EIA-422) |
| Min. output phase difference | 200ns |
| Expansion coefficient | $(17 \pm 1) \times 10^{-6}/^\circ\text{C}$ |
| Status lamp functions | Low Scale signal / Low power supply voltage |
| Max. cable length | 5m |
| Power supply voltage | 5V $\pm 5\%$ |
| Power consumption | 2.5W or less (With load) |
| Operating temperature | 0 to 45°C |
| Storage temperature | -20 to 60°C |
| Vibration resistance | 20m/s ² , 50Hz to 2kHz |
| Shock resistance | 600m/s ² , 1 mm/s |
| Protective design grade | IP65 (Or equivalent) |

Specifications

| Model | CH33- | | | | | | | |
|-------------------------|-----------------------------|-------|-------|-------|--------------|-------|-------|-------|
| | 03CPD | 05CPD | 10CPD | 15CPD | 03CED | 05CED | 10CED | 15CED |
| Cable length L(m) | 3 | 5 | 10 | 15 | 3 | 5 | 10 | 15 |
| Cable sheath | PVC | | | | Polyurethane | | | |
| Cable armor | Yes | | | | | | | |
| Protective design grade | IP65 (Scale Side Connector) | | | | | | | |

MAGNESCALE®