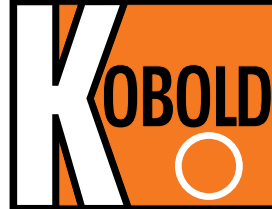
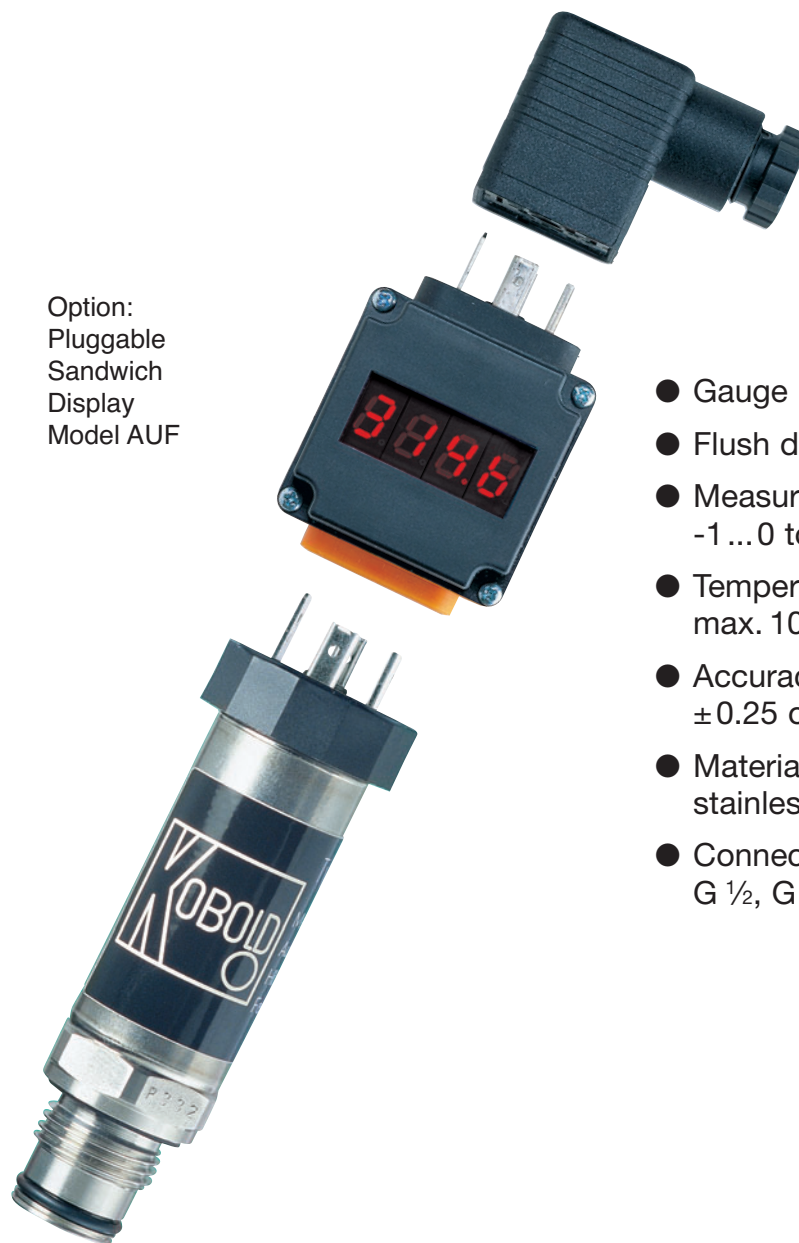




## Pressure Transducer Heavy Duty Industrial Piezoresistive



measuring  
•  
monitoring  
•  
analysing



Option:  
Pluggable  
Sandwich  
Display  
Model AUF

- Gauge pressure
- Flush diaphragm
- Measuring range:  
-1 ... 0 to 0 ... 16 bar
- Temperature (medium):  
max. 100 °C
- Accuracy:  
±0.25 or 0.5 % (f.s.d.)
- Material:  
stainless steel
- Connection:  
G 1/2, G 1 male



KOBOLD offices exist in the following countries:

ARGENTINA, AUSTRIA, BELGIUM, BRAZIL, CANADA, CHINA,  
FRANCE, GERMANY, GREAT BRITAIN, ITALY, MEXICO, NETHER-  
LANDS, PERU, POLAND, SWITZERLAND, USA, VENEZUELA

KOBOLD Messring GmbH  
Nordring 22-24  
D-65719 Hofheim/Ts.  
☎ +49(0)6192 299-0  
Fax +49(0)6192 23398  
E-Mail: info.de@kobold.com  
Internet: www.kobold.com

**Model:**  
SEN-3251  
SEN-3252



**Description**

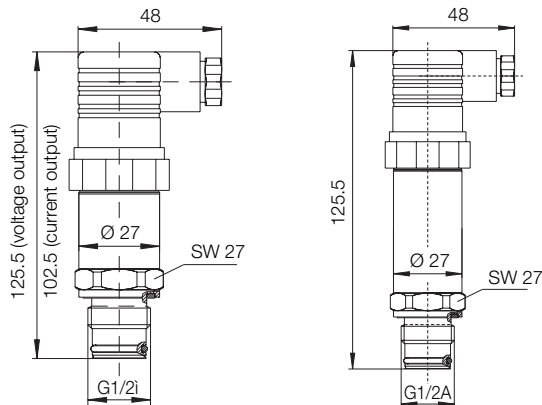
The Heavy Duty Industrial pressure transducers are leaders among pressure transducers. The flush type diaphragm allows the use with aggressive, viscous or crystallizing process fluids. This type of sealing permits cleaning of the process connections without residues. Case and wetted parts are stainless steel. Therefore they are extremely resistant against aggressive media and fulfill the most demanding requirements.

Two adjustment potentiometers for zero and span render possible the use in most difficult applications like measurement of the hydrostatic column.

**Dimensions (in mm)**

SEN-3251...

SEN-3252...



**Applications**

- Plant and equipment manufacturing
- Process engineering
- Apparatus engineering
- Development and laboratory

**Technical Data**

Technology: flush diaphragm  
 Pressure type: gauge pressure  
 Housing: stainless steel 1.4301  
 Fitting: < 1.6 bar G 1 male  
 > 2.5 bar G 1/2 male  
 Wetted parts: stainless steel 1.4571, NBR  
 Sensor: piezoresistive  
 Max. temperature: Storage: -40...+100 °C  
 Medium: -30...+100 °C  
 Ambient: -20...+80 °C  
 Pressure limitation: 3.5 x range; vacuum-tight  
 Accuracy: ±0.25 or 0.5 % (f.s.d.)  
 Repeatability: ≤ ±0.05 % (f.s.d.)  
 Stability (annual): ≤ ±0.2 % (f.s.d.)  
 under reference conditions  
 Electrical connection: plug DIN 43 650  
 Power supply: 10...30 V<sub>DC</sub>  
 (14...30 V<sub>DC</sub> for output 0 - 10 V<sub>DC</sub>)  
 Output: 4 - 20 mA, 0 - 10 V<sub>DC</sub>  
 Load (Ω): ≤ (U<sub>B</sub> - 10 V) / 0.02 A (for 4 - 20 mA)  
 > 5 kΩ for 0 - 5 V  
 > 10 kΩ for 0 - 10 V  
 Response time: ≤ 1 ms (within 10 - 90 % of full scale)  
 Adjustability: Zero and measuring span ±5 %  
 Temp. comp. range: 0...+80 °C  
 Temperature drift: to zero and span ±0.2 % / 10 K  
 Zero for measuring range 0...0.1 and 0...0.16 bar ±0.4 % / 10 K  
 Protection: IP 65

**Accessory**

Weld on Adapter for flush diaphragm transducer

Connection	Model
G 1/2	MZB-ESA R15
G 1	MZB-ESA R25

**Order Details Sensor** (Example: SEN-3251 C 315)

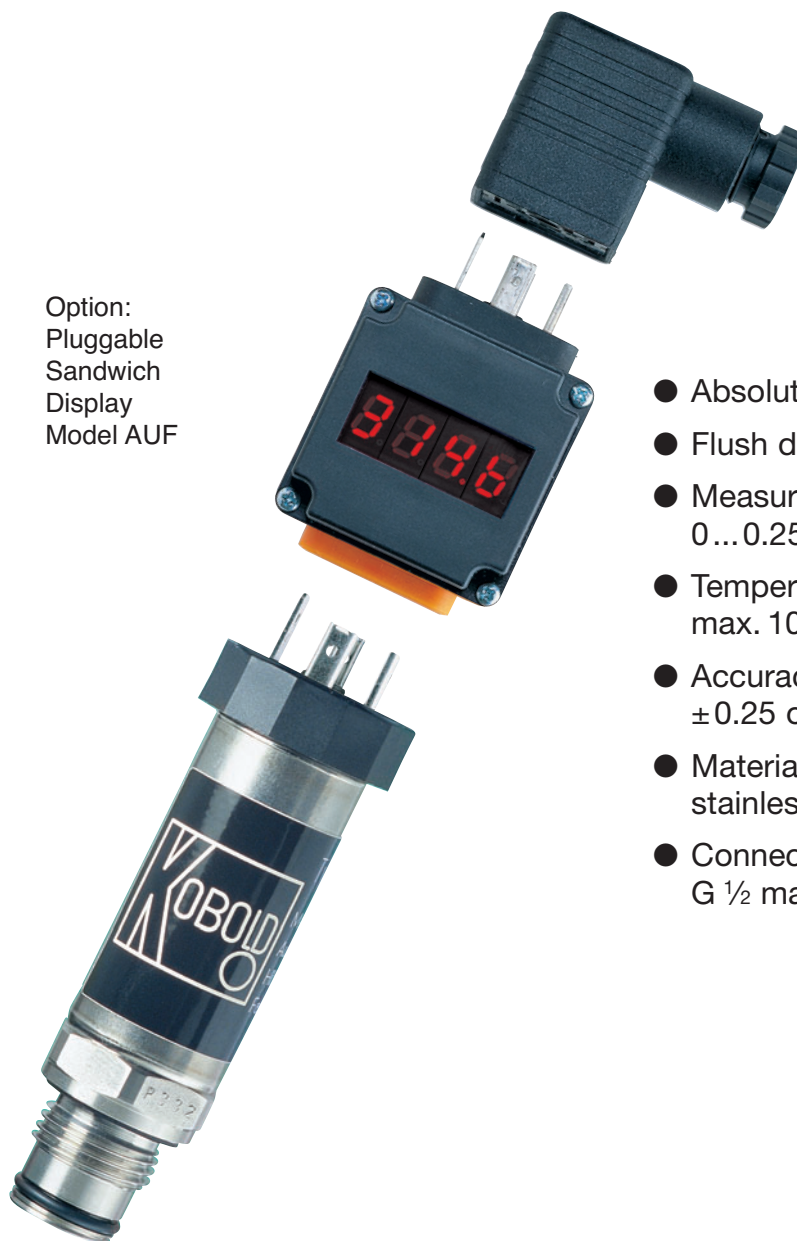
Measuring range	Order no. Gauge pressure class 0.5 4 - 20 mA	Order no. Gauge pressure class 0.5 0 - 5 V <sub>DC</sub>	Order no. Gauge pressure class 0.5 0 - 10 V <sub>DC</sub>	Order no. Gauge pressure class 0.25 4 - 20 mA	Order no. Gauge pressure class 0.25 0 - 10 V <sub>DC</sub>
-1 to 0 bar	SEN-3251 C315	SEN-3251/1 C315	SEN-3251/2 C315	SEN-3252 C315	SEN-3252/2 C315
-0.6 to 0 bar	SEN-3251 C305	SEN-3251/1 C305	SEN-3251/2 C305	SEN-3252 C305	SEN-3252/2 C305
-0.4 to 0 bar	SEN-3251 C436	SEN-3251/1 C436	SEN-3251/2 C436	SEN-3252 C436	SEN-3252/2 C436
-0.25 to 0 bar	SEN-3251 C426	SEN-3251/1 C426	SEN-3251/2 C426	SEN-3252 C426	SEN-3252/2 C426
0 to 0.1 bar	SEN-3251 B126	SEN-3251/1 B126	SEN-3251/2 B126	-	-
0 to 0.16 bar	SEN-3251 B136	SEN-3251/1 B136	SEN-3251/2 B136	-	-
0 to 0.25 bar	SEN-3251 B146	SEN-3251/1 B146	SEN-3251/2 B146	SEN-3252 B146	SEN-3252/2 B146
0 to 0.4 bar	SEN-3251 B156	SEN-3251/1 B156	SEN-3251/2 B156	SEN-3252 B156	SEN-3252/2 B156
0 to 0.6 bar	SEN-3251 B015	SEN-3251/1 B015	SEN-3251/2 B015	SEN-3252 B015	SEN-3252/2 B015
0 to 1 bar	SEN-3251 B025	SEN-3251/1 B025	SEN-3251/2 B025	SEN-3252 B025	SEN-3252/2 B025
0 to 1.6 bar	SEN-3251 B035	SEN-3251/1 B035	SEN-3251/2 B035	SEN-3252 B035	SEN-3252/2 B035
0 to 2.5 bar	SEN-3251 B045	SEN-3251/1 B045	SEN-3251/2 B045	SEN-3252 B045	SEN-3252/2 B045
0 to 4 bar	SEN-3251 B055	SEN-3251/1 B055	SEN-3251/2 B055	SEN-3252 B055	SEN-3252/2 B055
0 to 6 bar	SEN-3251 B065	SEN-3251/1 B065	SEN-3251/2 B065	SEN-3252 B065	SEN-3252/2 B065
0 to 10 bar	SEN-3251 B075	SEN-3251/1 B075	SEN-3251/2 B075	SEN-3252 B075	SEN-3252/2 B075
0 to 16 bar	SEN-3251 B085	SEN-3251/1 B085	SEN-3251/2 B085	SEN-3252 B085	SEN-3252/2 B085



## Pressure Transducer Heavy Duty Industrial Piezoresistive



measuring  
•  
monitoring  
•  
analysing



Option:  
Pluggable  
Sandwich  
Display  
Model AUF

- Absolute pressure
- Flush diaphragm
- Measuring range:  
0... 0.25 to 0... 16 bar
- Temperature (Medium):  
max. 100 °C
- Accuracy:  
± 0.25 or 0.5 % (f.s.d.)
- Material:  
stainless steel
- Connection:  
G 1/2 male / G 1



KOBOLD offices exist in the following countries:

ARGENTINA, AUSTRIA, BELGIUM, BRAZIL, CANADA, CHINA,  
FRANCE, GERMANY, GREAT BRITAIN, ITALY, MEXICO, NETHER-  
LANDS, PERU, POLAND, SWITZERLAND, USA, VENEZUELA

KOBOLD Messring GmbH  
Nordring 22-24  
D-65719 Hofheim/Ts.  
☎ +49(0)6192 299-0  
Fax +49(0)6192 23398  
E-Mail: info.de@kobold.com  
Internet: www.kobold.com

**Model:**  
SEN-3255  
SEN-3256

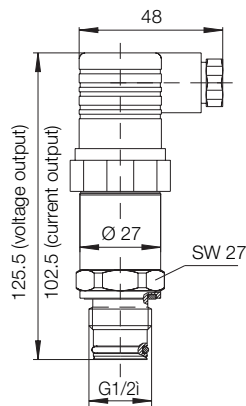
**Description**

The Heavy Duty Industrial pressure transducers are leaders among pressure transducers. The flush type diaphragm allows the use with aggressive, viscous or crystallizing process fluids. This type of sealing permits cleaning of the process connections without residues. Case and wetted parts are stainless steel. Therefore they are extremely resistant against aggressive media and fulfill the most demanding requirements.

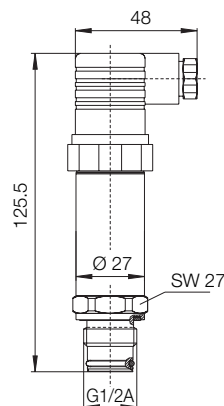
Two adjustment potentiometers for zero and span render possible the use in most difficult applications like measurement of the hydrostatic column.

**Dimensions**

SEN-3255...



SEN-3256...



**Applications**

- Plant and equipment manufacture
- Process engineering
- Apparatus engineering
- Development and laboratory

**Technical data**

- Technology: flush diaphragm
- Pressure type: absolute pressure
- Housing: stainless steel 1.4301
- Fitting: < 1.6 bar G 1 male  
> 2.5 bar G 1/2 male
- Wetted parts: stainless steel 1.4571, NBR
- Sensor element: piezoresistive
- Max. temperature: Storage: -40...+100 °C  
Medium: -30...+100 °C  
Ambient: -20...+80 °C
- Pressure limitation: 3.5 x range, vacuum-tight
- Accuracy: ±0.25 or 0.5 % (f.s.d.)
- Repeatability: ≤ ±0.05 % (f.s.d.)
- Stability (annual): ≤ ±0.2 % of full scale under reference conditions
- Electrical connection: plug DIN 43 650
- Power supply: 10...30 V<sub>DC</sub>  
(14...30 V<sub>DC</sub> for output 0 - 10 V<sub>DC</sub>)
- Output: 4 - 20 mA, 0 - 10 V<sub>DC</sub>
- Load (Ω): ≤ (U<sub>B</sub> - 10 V) / 0.02 A (for 4 - 20 mA)  
> 10 kΩ for 0 - 10 V<sub>DC</sub>
- Response time: ≤ 1 ms (within 10 - 90 % of full scale)
- Adjustability: Zero and measuring span ±5 %
- Temp. comp. range: 0...+80 °C
- Temperature drift: Zero and span ±0.2 % / 10 K
- Protection: IP 65

**Order Details Sensor** (Example: SEN-3255 B 146)

Measuring range	Order no. Absolute pressure class 0.5 4 - 20 mA	Order no. Absolute pressure class 0.5 0 - 10 V <sub>DC</sub>	Order no. Absolute pressure class 0.25 4 - 20 mA	Order no. Absolute pressure class 0.25 0 - 10 V <sub>DC</sub>
0 to 0.25 bar	SEN-3255 B146	SEN-3255/2 B146	SEN-3256 B146	SEN-3256/2 B146
0 to 0.4 bar	SEN-3255 B156	SEN-3255/2 B156	SEN-3256 B156	SEN-3256/2 B156
0 to 0.6 bar	SEN-3255 B015	SEN-3255/2 B015	SEN-3256 B015	SEN-3256/2 B015
0 to 1 bar	SEN-3255 B025	SEN-3255/2 B025	SEN-3256 B025	SEN-3256/2 B025
0 to 1.6 bar	SEN-3255 B035	SEN-3255/2 B035	SEN-3256 B035	SEN-3256/2 B035
0 to 2.5 bar	SEN-3255 B045	SEN-3255/2 B045	SEN-3256 B045	SEN-3256/2 B045
0 to 4 bar	SEN-3255 B055	SEN-3255/2 B055	SEN-3256 B055	SEN-3256/2 B055
0 to 6 bar	SEN-3255 B065	SEN-3255/2 B065	SEN-3256 B065	SEN-3256/2 B065
0 to 10 bar	SEN-3255 B075	SEN-3255/2 B075	SEN-3256 B075	SEN-3256/2 B075
0 to 16 bar	SEN-3255 B085	SEN-3255/2 B085	SEN-3256 B085	SEN-3256/2 B085

**Accessory**

Weld on Adapter for flush diaphragm transducer

Connection	Model
G 1/2	MZB-ESA R15
G 1	MZB-ESA R25