



PDD-15
 PDD-25

PDD-55
 PDD-75

- Switching range:
-1 ... 0 to 0 ... 400 bar
- Temperature:
max. 80 °C
- Accuracy:
±0.5 % FS (±1.0 % FS)
- Housing material:
Stainless Steel
- Connection:
G ¼, G ½ male
¼ NPT or ½ NPT



KOBOLD offices exist in the following countries:

ARGENTINA, AUSTRIA, BELGIUM, BRAZIL, CANADA, CHINA,
 FRANCE, GERMANY, GREAT BRITAIN, ITALY, MEXICO, NETHER-
 LANDS, PERU, POLAND, SWITZERLAND, USA, VENEZUELA

KOBOLD Messring GmbH
 Nordring 22-24
 D-65719 Hofheim/Ts.
 ☎ +49(0)6192 299-0
 Fax +49(0)6192 23398
 E-Mail: info.de@kobold.com
 Internet: www.kobold.com

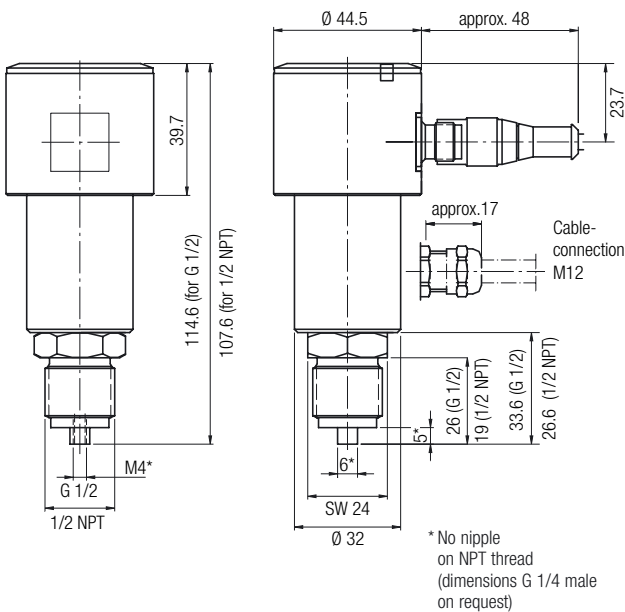
Model:
 PDD



Description

KOBOLD pressure sensors/switches series PDD are cost effective electronic pressure switches with digital indication of actual pressure. Two switch points, on/off-switch delay and hysteresis are within the measuring range programmable. A piezzo resistive ceramic sensor is used. The units can be used where high switching accuracy is needed. Long term stability, repeatability and the compact and robust design makes it an ideal unit for use in OEM applications.

Dimensions



Applications

- Compressors
- Machinery industry
- Pumps
- Installations

Technical Details

- Housing: Stainless Steel 1.4305
- Connections: G 1/4 or G 1/2 male
St. St. 1.4404
Option 1/4 or 1/2 NPT
others on request
- Gasket: FPM (Option: EPDM)
- Sensor element: piezzo resistive ceramic cell
- Indication: 3-digit LED, 7 mm
- Resolution: max. 0.01 bar
(depending on measuring range and measuring value)
- Max. temperature: Media: -20 to +80 °C
Ambient: -20 to +80 °C
- Max. over pressure: up to 60 bar: 3 times
from 100 bar: 2 times of the range
400 bar: 1.5 times of the range
- Supply voltage: 24 V_{DC} ± 20%
- Power consumption: approx. 100 mA
(without switching output)
- Electr. connection: plug M12x1
- Switching output: PNP or NPN semiconductor,
max. 300 mA, short-circuit-proof
N/O or N/C programmable
- Contact: programmable via 2 buttons
- Switch point adjustment: 1 (2) LED
- Output indicator: adjustable via 2 buttons
- Hysteresis: 0.5...99.5 (separately adjustable)
- ON/OFF-switching delay: 0.5 s
- Response time: ± 0.5% f. s. (± 1% of full scale for measuring range: B025 and B035)
- Accuracy: IP 65
- Protection:

Order Details (Example: PDA-15 3 R2 C315)

Model	Description	Output	Electrical connection	Mechanical connection	Measuring range*
PDD-	Electronic pressure switch made of stainless steel	15= PNP-switching output 25= NPN-switching output 55= 2xPNP-switching output 75= 2xNPN-switching output	3= plug M12x1	R2= G 1/4 R4= G 1/2 N2= 1/4 NPT N4= 1/2 NPT	C315= -1 to 0 bar B025= 0 to 1 bar B035= 0 to 1,6 bar B045= 0 to 2,5 bar B055= 0 to 4 bar B065= 0 to 6 bar B075= 0 to 10 bar B085= 0 to 16 bar A095= 0 to 25 bar A105= 0 to 40 bar A115= 0 to 60 bar A125= 0 to 100 bar A135= 0 to 160 bar A145= 0 to 250 bar A155= 0 to 400 bar

Additional: Electrical connection

Description	Model
M12x1 socket with 2 m cable	ZUB-KAB-12K002
M12x1 socket with Quickon-plug	ZUB-KAB-12Q000