

Pressure gauges with capsule elements

Nominal dia. 63 and 80
Bottom or back connection



measuring
•
monitoring
•
analysing



Features

- High reliability and durability
- Overrange protection up to 10 times max. rating
- Zero-point adjustment
- Accuracy class 1.6
- Housing made of steel or stainless steel
- Movement brass

Description

The pressure gauges with capsule elements are used to measure low positive/negative pressures in gaseous media. The capsule system consists of two half capsule elements which are soldered together.

The element makes a defined stroke when subjected to pressure. A special measuring mechanism converts this movement into pointer-rotation.

Depending on the required installation the instruments can be supplied with a panel clamp, triangular front ring or mounting flange.

The housing is available in steel or stainless steel.

Ranges

0...16 mbar to 0...600 mbar

Applications

Medical technology, filter state measurement, burner monitoring, exhaust-gas measurements, gas production, air-conditioning technology, vacuum measurement, laboratories

KOBOLD offices exist in the following countries:

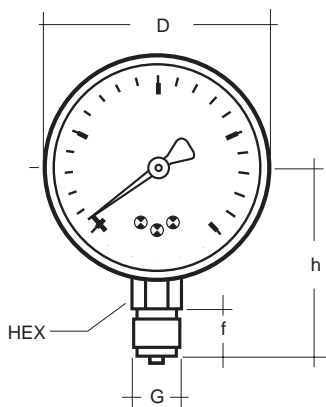
ARGENTINA, AUSTRIA, BELGIUM, BRAZIL, CANADA,
CHINA, FRANCE, GREAT BRITAIN, ITALY, NETHERLANDS,
POLAND, SWITZERLAND, USA, VENEZUELA

KOBOLD Messring GmbH
Nordring 22-24
D-65719 Hofheim/Ts.
☎ (06192) 299-0
☎ (06192) 23398
E-mail: info.de@kobold.com
Internet: www.kobold.com

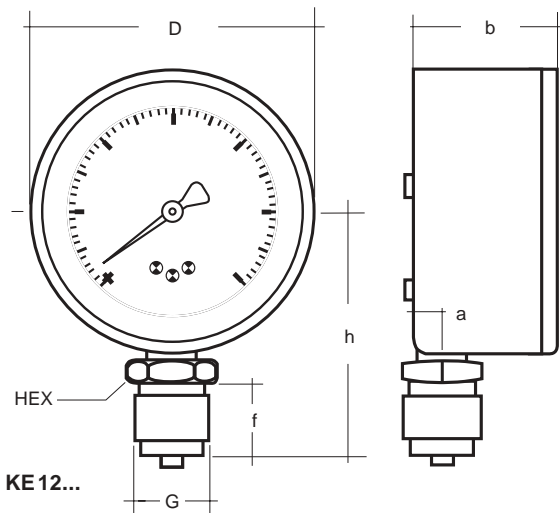
Technical Data

Model	MAN	KD11...	KD13...	KE12...	KE14...	Options
Nominal size		63 mm		80 mm		
Symbol						
Accuracy class		1.6 to DIN 16005				
Ranges		0...25 mbar to 0...600 mbar		0...16 mbar to 0...600 mbar		
		negative or positive and negative/positive overpressure				
Max. pressure		static load: up to max. rating alternating load: to 0.9 times max. rating short term: overload 1.3 times max. rating				Overload to 10 times max. rating possible
Housing		steel, black painted				stainless steel 1.4301
Bezel		none				steel, black
Window		plexi glass				
Dial		aluminum, white, scale and lettering black acc. DIN 16109				dual scale
Pointer		aluminum, black acc. DIN 16099				marker pointer
Movement		Brass with zero-point adjustment				
Measuring element		Brass				
Connection		Brass				
- location		bottom	rear central	bottom	rear central	other connections on request
- thread		G 1/4 male		G 1/2 male		
Temperatures		Tmin. -20°C, Tmax. +80°C				
- medium		Tmin. -20°C, Tmax. +60°C				
- ambient						
Temperature behaviour		0.3% / 10 K on deviation from normal temperature +20°C				
Protection		IP 43 acc. DIN 40050				
Throttle						ø 0.3, ø 0.4, ø 0.8
Weight approx.		0.3 kg	0.3 kg	0.5 kg	0.5 kg	

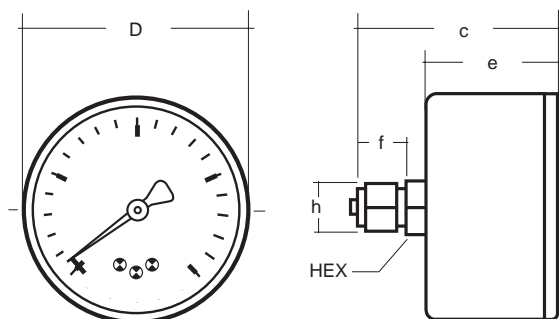
Dimensional drawings



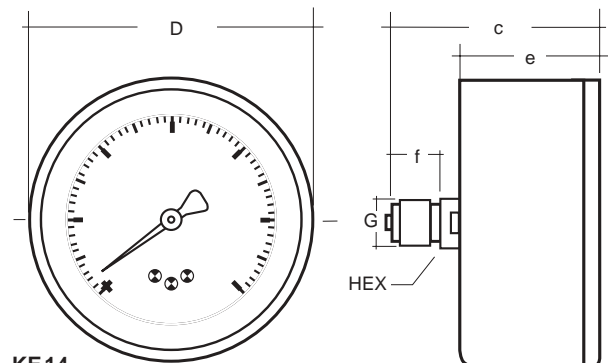
Model KD11...



Model KE12...



Model KD13...



Model KE14...

Dia	Dimensions (mm)								
	a ± 0.5	b ± 1	c ± 1	D ± 1	e ± 1	f ± 0.5	G	h ± 1	HEX
63	9.5	40	55.5	62	37	13	G 1/4 male	52	14
80	8.0	39	58	79	39	20	G 1/2 male	67.5	22

Pressure gauges with capsule elements

Nominal dia. 100 and 160
Bottom or back connection



measuring
•
monitoring
•
analysing



Features

- High reliability and durability
- Overrange protection up to 10 times max. rating
- Zero-point adjustment
- Accuracy class 1.6
- Housing made of stainless steel
- Movement brass

Description

The pressure gauges with capsule elements are being used to measure low positive/negative pressures in gaseous media. The capsule system consists of two half capsule elements which are soldered together.

The element makes a defined stroke when subjected to pressure. A special measuring mechanism converts this movement into pointer-rotation.

Depending on the required installation the instruments can be supplied with a panel clamp, triangular front ring or mounting flange.

Ranges

0...6 mbar to 0...600 mbar

Applications

Medical technology, filter state measurements, burner monitoring, exhaust-gas measurements, gas production, air-conditioning technology, vacuum measurement, laboratories

KOBOLD offices exist in the following countries:

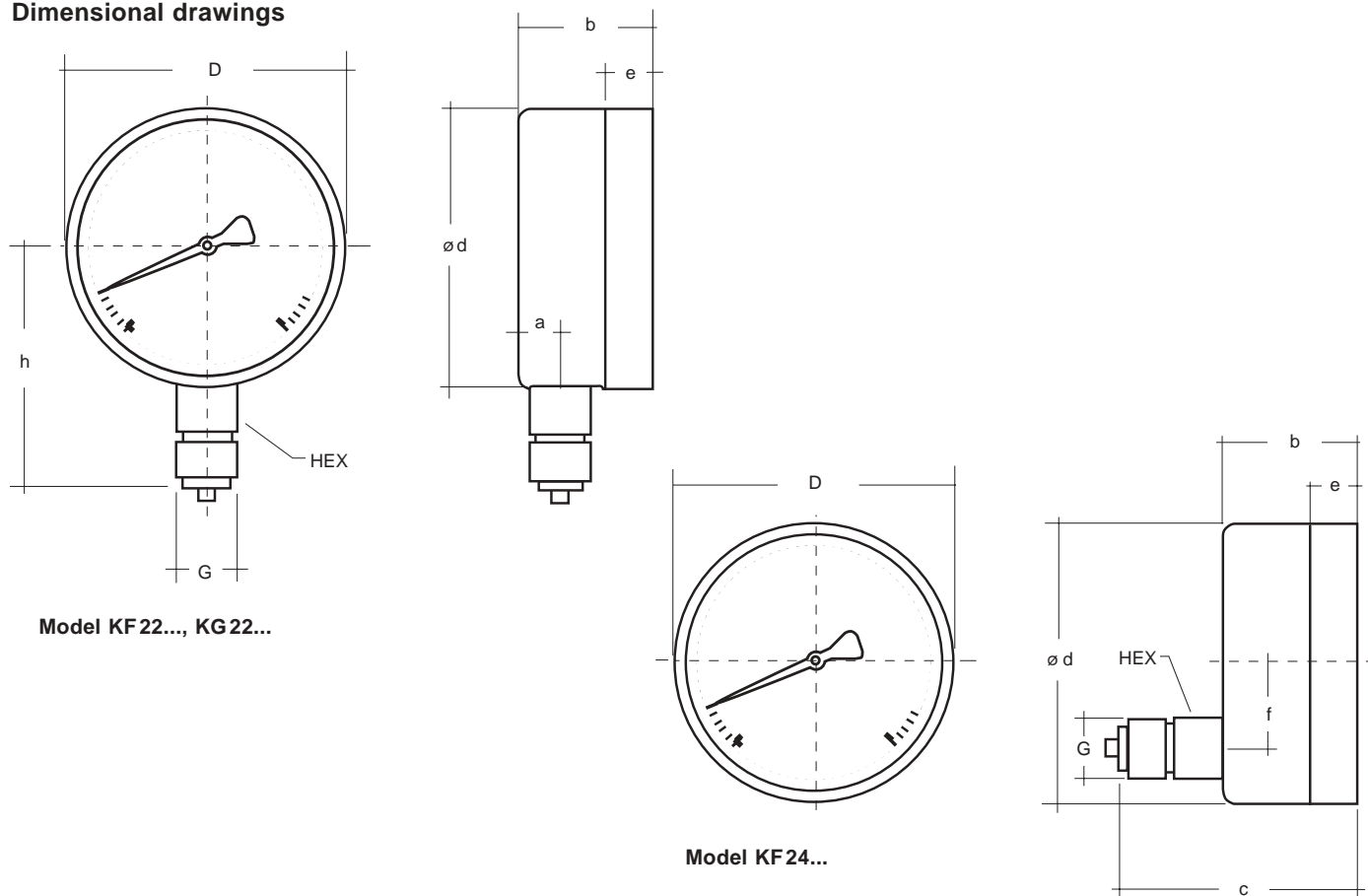
ARGENTINA, AUSTRIA, BELGIUM, BRAZIL, CANADA,
CHINA, FRANCE, GREAT BRITAIN, ITALY, NETHERLANDS,
POLAND, SWITZERLAND, USA, VENEZUELA

KOBOLD Messring GmbH
Nordring 22-24
D-65719 Hofheim/Ts.
☎ (06192) 299-0
☎ (06192) 23398
E-mail: info.de@kobold.com
Internet: www.kobold.com

Technical Data

Model	MAN	KF 22...	KF 24...	KG 22...	Options
Nominal size		100 mm		160 mm	
Symbol					
Accuracy class	1.6 to DIN 16005				
Ranges	0...10 mbar to 0...600 mbar negative or positive and negative/positive overpressure			0...6 mbar to 0...600 mbar	
Max. pressure	static load to max. rating alternating load: to 0.9 times max. rating short term: overload 1.3 times max. rating				Overload to 10 times max. rating possible
Housing	stainless steel 1.4301				
Bezel	stainless steel 1.4301, bayonet ring				
Window	instrument glass				safety glass
Dial	aluminum, white, scale and lettering black acc. DIN 16109				dual scale
Pointer	aluminum, black acc. DIN 16099				marking pointer
Movement	Brass with zero-point adjustment				
Measuring element	Brass				
Connection	Brass				
- location	bottom	rear eccentric	bottom		
- thread	G 1/2 male				other threads on request
Temperatures					
- medium	Tmin. -20 °C, Tmax. +80 °C				
- ambient	Tmin. -20 °C, Tmax. +60 °C				
Temperature behaviour	0.3% / 10 K on deviation from normal temperature +20 °C				
Protection	IP 54 acc. EN 60529 / IEC 529				
Throttle					
					ø 0.3, ø 0.4, ø 0.8
Weight approx.	0.6 kg	0.6 kg		1.1 kg	

Dimensional drawings



Dia	Dimensions (mm)									
	a ± 0.5	b ± 1	c ± 1	D ± 1	d ± 1	e ± 0.5	f ± 0.5	G	h ± 1	HEX
100	15.5	49.5	83	101	99	17.5	30	G 1/2 male	87	22
160	15.5	49.5	-	161	159	17.5	-	G 1/2 male	118	22