



- Indications range:  
0.2-0.5... 1-50 l/min water
- $p_{max}$  16 bar,  $t_{max}$  80 °C
- Materials:  
brass, stainless steel, POM



KOBOLD offices exist in the following countries:

**ARGENTINA, AUSTRIA, BELGIUM, BRAZIL, CANADA, CHINA,  
COLOMBIA, FRANCE, GREAT BRITAIN, ITALY, NETHERLANDS,  
POLAND, SWITZERLAND, USA, VENEZUELA**

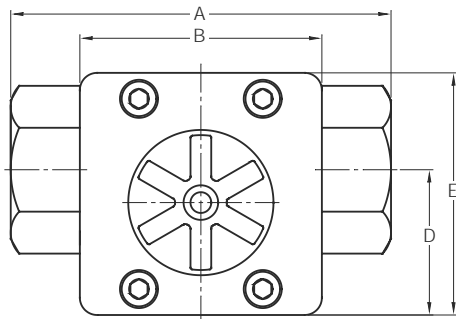
KOBOLD Messring GmbH  
Nordring 22-24  
D-65719 Hofheim/Ts.  
☎ (06192) 299-0  
Fax (06192) 23398  
E-mail: info.de@kobold.com  
Internet: www.kobold.com

**Model:**  
DIH

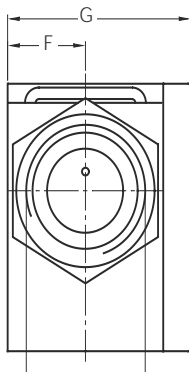
**Materials**

	DIH-11	DIH-12	DIH-13
Housing	Nickel plated brass (CuZn39Pb3 nickel plated)	stainless steel (1.4404)	POM
Cover	PMMA (Plexi)	PMMA (Plexi)	PMMA (Plexi)
Seals	NBR	FPM	NBR
Rotor	Polyporpylene	Polypropylene	Polypropylene
Axle	ceramic	ceramic	ceramic
p <sub>max</sub>	16 bar	16 bar	16 bar
t <sub>max</sub>	80 °C	80 °C	80 °C

**Dimensions**



	until DIH-..05HR10	upto DIH-..06HR25
A	84	110
B	60	70
C	G 3/8	G 1
D	40	42
E	60	70
F	19.5	22.5
G	41.5	53



**Order details** (Example: DIH-1101H R10)

Indication range		Model			Connection	
l/min Water	ΔP (bar)*	DIH-11..	DIH-12..	DIH-13..	G 3/8	G 1
0.2...0.5	1	DIH-1101H..	DIH-1201H..	DIH-1301H..	R10	
0.3...2	1	DIH-1102H..	DIH-1202H..	DIH-1302H..	R10	
0.5...5	1	DIH-1103H..	DIH-1203H..	DIH-1303H..	R10	
1...12	1	DIH-1104H..	DIH-1204H..	DIH-1304H..	R10	
1...18	1	DIH-1105H..	DIH-1205H..	DIH-1305H..	R10	
1...22	1	DIH-1106H..	DIH-1206H..	DIH-1306H..		R25
1...35	1	DIH-1107H..	DIH-1207H..	DIH-1307H..		R25
1...50	1	DIH-1108H..	DIH-1208H..	DIH-1308H..		R25

\* at max. flow