



Gear Wheel Flow Meter Made of Aluminium

for Viscous Liquids



measuring
•
monitoring
•
analysing



- Measuring range:
0.16-16 to 1-65 L/min
- Measuring accuracy:
±0.3 up to ±3 % of
measured value
- p_{max}: 160 bar
- t_{max}: 80 °C
- Process connection:
G 3/8, G 1/4 female
- Material:
Aluminium housing



KOBOLD offices exist in the following countries:

ARGENTINA, AUSTRIA, BELGIUM, BRAZIL, CANADA, CHINA,
FRANCE, GERMANY, GREAT BRITAIN, ITALY, MEXICO, NETHER-
LANDS, PERU, POLAND, SWITZERLAND, USA, VENEZUELA

KOBOLD Messring GmbH
Nordring 22-24
D-65719 Hofheim/Ts.
☎ +49(0)61 92 299-0
Fax +49(0)61 92 233 98
E-Mail: info.de@kobold.com
Internet: www.kobold.com

Model:
KZA



Principle of function

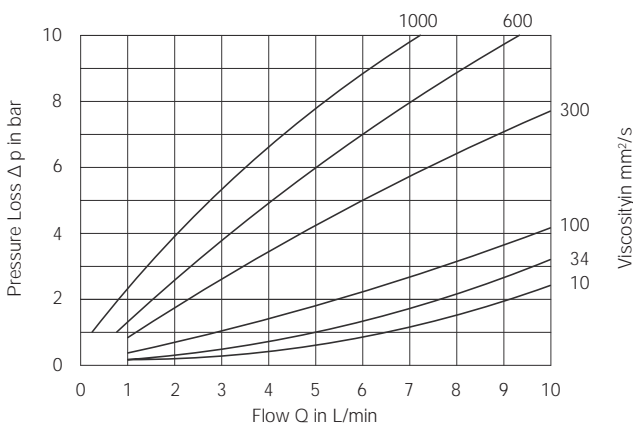
The KOBOLD gear wheel flow meter model KZA for viscous liquids is a low cost flow meter. The movement system consists of a gear set, which is propelled by the flow. The instrument movement bearing is designed for the types KZA – 1810 and KZA 1865, as radial and axial gliding bearing. The type KZA-1816 has a ball bearing. The pick-up is separated from the measuring chamber and it registrates contactlessly the gear resolution through the housing wall. Easy maintenance, small pressure loss, small weight and low noise level are the outstanding features of this flow meter.

Areas of application

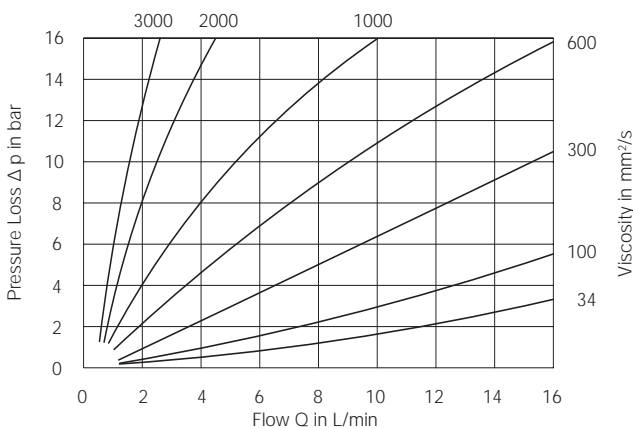
- For all viscose, non abrasive liquids like: petroleum, grease, pastes etc.
- Mixing and Batching
- Hydraulics

Pressure loss

KZA-1810



KZA-1816



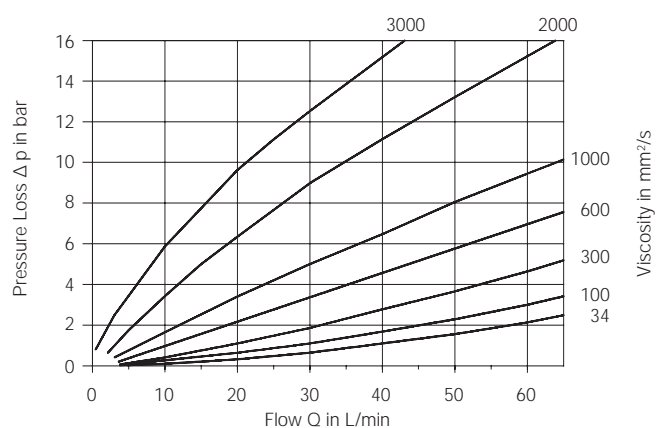
Technical specifications

Accuracy:	see Order details
Repeatability:	± 0.1% of measured value (KZA-1865) < 0.3 % (KZA-1865) (Q < 3 L/min and < 30 mm ² /s) < 0.1 % (by 20 mm ² /s; KZA-1816)
Pressure:	160 bar maximum
Temperature range:	-10...+80 °C (Medium) upto +120 °C With more inaccuracy
Viscosity range:	see Order details

Materials

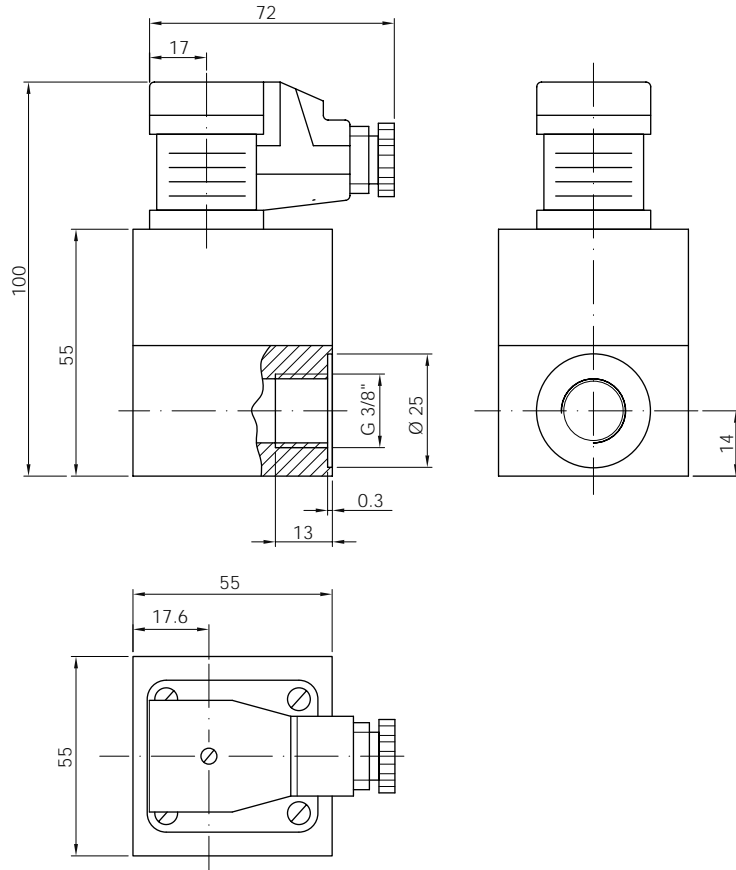
Housing:	Aluminium, anodized (KZA 1810/1865) Aluminium (KZA-1816)
Gears:	Steel
Bearing:	Plastic gliding bearing (KZA-1810) Multi - layer gliding bearing (KZA-1865) Ball bearing (KZA-1816)
Seals:	FPM
Output Signal:	1 Pulse output (KZA-1810/1865) 2 Pulse outputs, 90° ± 30° Disalignment (KZA-1816)
Pulse form:	Square pulse, Ratio 1 : 1 (± 15%), short-circuit-proof
Pulse amplitude:	≥ 0.8 U _B
Power Supply:	24 V _{DC} (12...30 V _{DC}) (polarized-proof) 12V _{DC} (8...15 V _{DC})
Max. Power consumption:	0.6 W
Max. Power output:	0.3 W
Electr. Connection:	Connector plug DIN 43650
Protection:	IP 65, DIN 40050
Weight:	KZA-1810: 0.5 kg KZA-1816: 0.7 kg KZA-1865: 1.9 kg

KZA-1865

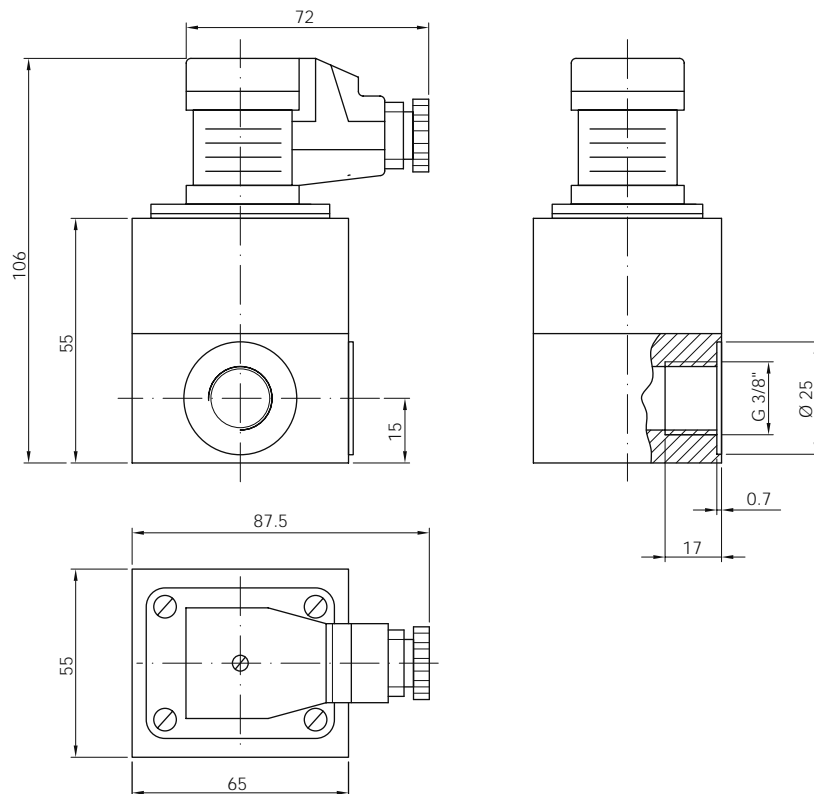


Dimensions

KZA-1810

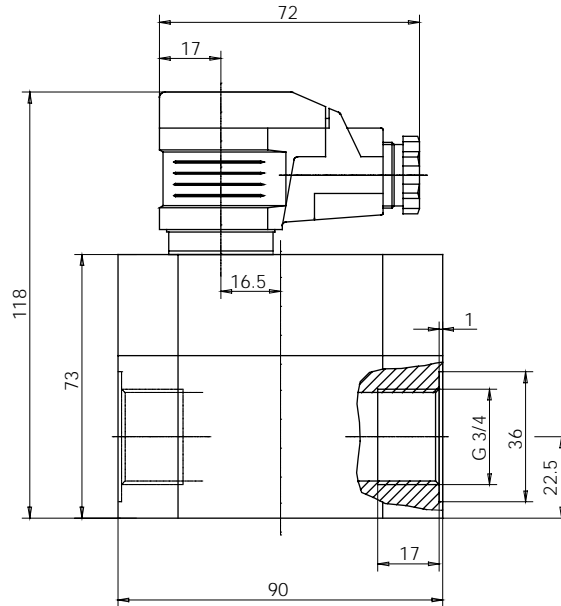


KZA-1816



Dimensions

KZA-1865



Order Details (Example: KZA-1810R10)

Measuring range L/min	Viscosity mm ² /s	Accuracy % of meas. value	Resolution pulses/L	Model	Connection female	Sensor
0.25...10	20...4000	± 3	5000	KZA-1810R10	G 3/8	..S 3 = 24 V _{DC} ..S 5 = 12 V _{DC}
0.16...16	1...3000	± 0.3	4082	KZA-1816R10	G 3/8	
1...65	20...4000	± 2.5	500	KZA-1865R20	G 3/4	