



## Conductive Level Switch Compact Probe



measuring  
•  
monitoring  
•  
analysing



- $p_{max}$ : 10 bar  
 $t_{max}$ : 100 °C  
(150 °C for CIP process)
- Electrode
- installation meets hygiene standards through EHEDG-certified installation system LZE
- Materials approved for handling of foodstuffs
- optional:  
integrated evaluating electronics
- optional:  
E-CTFE coating



Weld-in sleeve LZE



KOBOLD companies worldwide:

ARGENTINA, AUSTRIA, BELGIUM, CANADA, CHILE, CHINA, CZECH REPUBLIC, FRANCE, GERMANY, GREAT BRITAIN, INDONESIA, ITALY, MALAYSIA, MEXICO, NETHERLANDS, PERU, POLAND, SWITZERLAND, SINGAPORE, SLOVAKIA, THAILAND, USA, VENEZUELA, VIETNAM

KOBOLD Messring GmbH  
Nordring 22-24  
D-65719 Hofheim/Ts.  
☎ +49(0)6192 299-0  
Fax +49(0)6192 23398  
E-Mail: info.de@kobold.com  
Internet: www.kobold.com

Model:  
LNK-K



**Description:**

The conductive KOBOLD level probes LNK-K are used for level measurement. The electrical resistance between metallic vessel and level electrode is measured and evaluated. In combination with the KOBOLD LZE (p.119-124) or LZE-R (p. 125-128) weld-in sleeves, the probe provides a measuring point that has no dead space and meets hygiene standards and (EHEDG approval certificate). This level switch is therefore very well suited for CIP/SIP cleaning and because of its compact design the device is suitable for almost every measurement.

The KOBOLD probes LNK-K are also available with integrated evaluating electronics. The output signal (24 V<sub>DC</sub>) can thus be connected to a PLC for evaluation. This means lower installation costs, minimum wiring requirements and a high degree of noise immunity.

The level probes are connected electronically through an M12x1 plug connection. Different stem lengths are available. The stem may also be E-CTFE coated, so that foaming media can be detected.

**Technical details:**

- Measuring principle: conductive
- Process temperature: -20...+100 °C (150 °C for CIP-process)
- Ambient temperature: 0...70 °C
- Operating pressure: max. 10 bar
- Material**
- Head, thread supports: stainless steel 1.4404
- Insulating section: PEEK
- Electrode stem: stainless steel 1.4404
- Stem coating: E-CTFE, coating 0.3 mm
- Electrode length: 100, 250, 500, 750, 1000, 1500 mm
- Process connection: G 1/2, hygienic weld-in sleeves LZE or LZE-R (see page 53-60)
- Electric connection: M12x1 plug connector
- Protection: IP 67
- Weight: approx. 150 g (+ special stem)

**Technical details (cont.):**

**Switch electronics:**

- Power supply: 15...36 V<sub>DC</sub>, 15 mA
- Electrode voltage: 2 V<sub>AC</sub>, 500 Hz
- Sensitivity (adjustable): 3 steps 0.2 / 2.0 / 20 kΩ
- Function: Full/empty report (determined via the polarity of the supply voltage)
- Output: PNP, open collector, U<sub>off</sub> = V<sub>vers.</sub> - 1.0 V max. 50 mA, short-circuit-proof
- Switch delay: 1 s

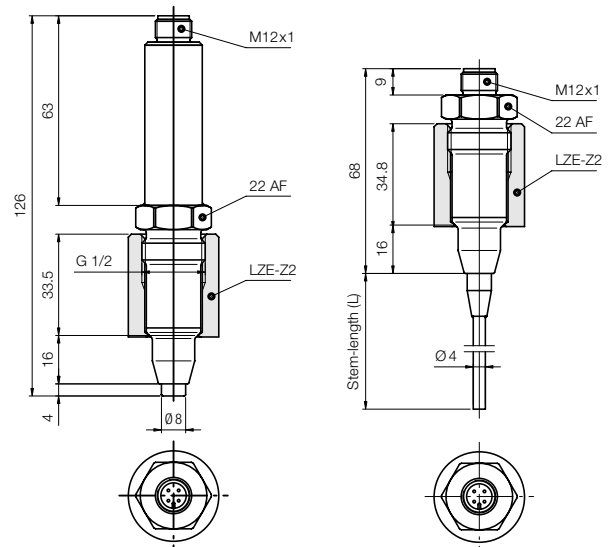
**Fields of use:**

- Level monitoring in all conductive media

**Dimensions:**

with switch electronics

without switch electronics



EHEDG certification of the connection system in combination with built-in sleeve LZE (see Page 53-60)

**Order data** (Example order): **LNK-K 2 0 A 00S**

Model	Design	Electrode material	Electrode coating	Electrode length	Electr. connection Evaluation
LNK-	K= compact version	2=st. steel 1.4404	0 = without coating E = E-CTFE-coating	A = 4 mm stump B = 100 mm C = 250 mm D = 500 mm E = 750 mm F = 1000 mm G = 1500 mm	00S = without electronics, M12x1-plug, 4 pole NPS= switch electronics, PNP-switch output M12x1 plug, 4 pole

External switch electronic: Electrode relay NE 104 and NE 304 (see page 33-36)