

Product specification of:

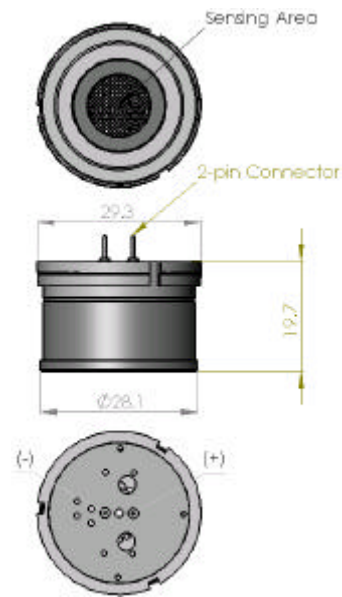
Industrial O₂-Sensor**Type: I - 04**

Part. No.: 48 00 16

Key features: O₂ cell designed for use in areas subject to explosion hazards, it may equally be applied in smoke gas analysis

All characteristics are based on conditions at 25°C, 50 % RH and 1013 hPa

Operating Principle:	galvanic fuel cell
Gas Connector:	flat base
Electrical Connector:	2-pin on PCB
Measurement Range:	0 - 100 Vol.%
Nominal Sensor Life:	= 500, 000 Vol.% h
Expected Operating Life:	3 years @ ambient air
Output Signal:	50 µA ± 10 µA @ dry ambient air
Response Time t ₉₀ :	< 6 s
Linearity Error:	0 - 2 % oxygen: ± 0.1 % absolute 2.1 - 35 % oxygen: ± 0.5 % relative
Drift:	< 3 % signal per month
Operating Temperature:	0 - 50°C
Pressure Range:	600 - 1750 hPa
Influence of Humidity:	-0.03% rel. O ₂ reading / % RH
Temperature Compensation:	none
Interferences:	< 0.1% O ₂ responses to: 15.0 % CO ₂ balances N ₂ 16.0 % CO balance N ₂ 3,000 ppm NO balances N ₂ 3,000 ppm C ₃ H ₈ balance N ₂ 500 ppm SO ₂ balance N ₂ 1,000 ppm Benzene balance N ₂



Tolerance: ± 0.15 mm

Storage Conditions

Temperature Range:	- 20 - 55°C maximum 5 - 25°C recommended
Ambient Pressure:	600 - 1750 hPa
Humidity:	up to 100 % RH
Material in Contact with Media:	PA 12, PPS, Stainless Steel, PTFE
Shelf Life:	less than 4 months recommended
Weight:	approximately 25 g
Warranty Period:	12 months
Housing Colour:	black

This data sheet is subject to change without prior notice!

[I-04 Rev. 02-05.doc]

page 1 / 1

IT Dr. Gambert GmbH, Hinter dem Chor 21, 23966 Wismar, Germany

Tel.: +49 (0) 3841 22 00 50, Fax: +49 (0) 3841 22 00 522, sales@it-wismar.de, www.it-wismar.de