

Product Specification of:

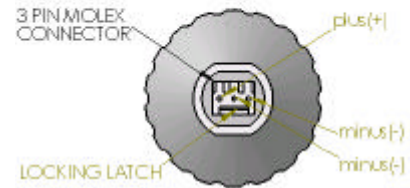
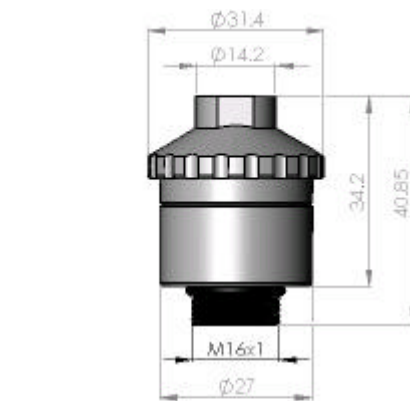
O₂ - Medical Sensor**Type: M - 04**

Part. No.: 41 00 06

Key Features: Long life cell that shows high signal stability at low cross interferences to anesthesia gases combined with a superior linearity over the entire range

All characteristics are based on conditions at 25°C, 50% RH and 1013 hPa

Electrical Connector:	3-pin Molex
Measurement Range:	0 to 100 Vol.%
Nominal Sensor Life:	> 1, 000, 000 Vol.% h
Expected Operating Life:	< 6 years @ ambient air
Output Signal:	13 to 16.5 mV @ dry ambient air
Response Time t_{90} :	< 12 s
Drift:	< 1% volume O ₂ / month @ air
Operating Temperature:	0 to 40°C
Pressure Range:	750 to 1250 hPa
Linearity Error:	= 2% @ 100% O ₂ applied for 5 min
Zero Offset Voltage:	= 200 μ V in 100% N ₂ , applied for 5 min
Repeatability:	\pm 1 % volume O ₂ @ 100% O ₂ , applied for 5 min
Influence of Humidity:	-0.03% rel. O ₂ reading per % RH
Recommended Load Resistor:	= 10 kOhm
Temperature Compensation:	NTC
Interferences:	according DIN EN 12598 and ISO 7767

Tolerance: \pm 0.15 mm**Storage Conditions**

Temperature Range:	recommended: 5 to 30°C maximum: - 20 to 50°C
Humidity:	up to 100% RH
Shelf Life:	< 6 months
Weight:	approximately 24 g
Material in Contact with Media:	PA, PPS, PTFE, stainless steel
Warranty Period:	16 months
Housing Colour:	white

This data sheet is subject to change without prior notice !

[M-04 Rev. 01-05.doc]

page 1 / 1